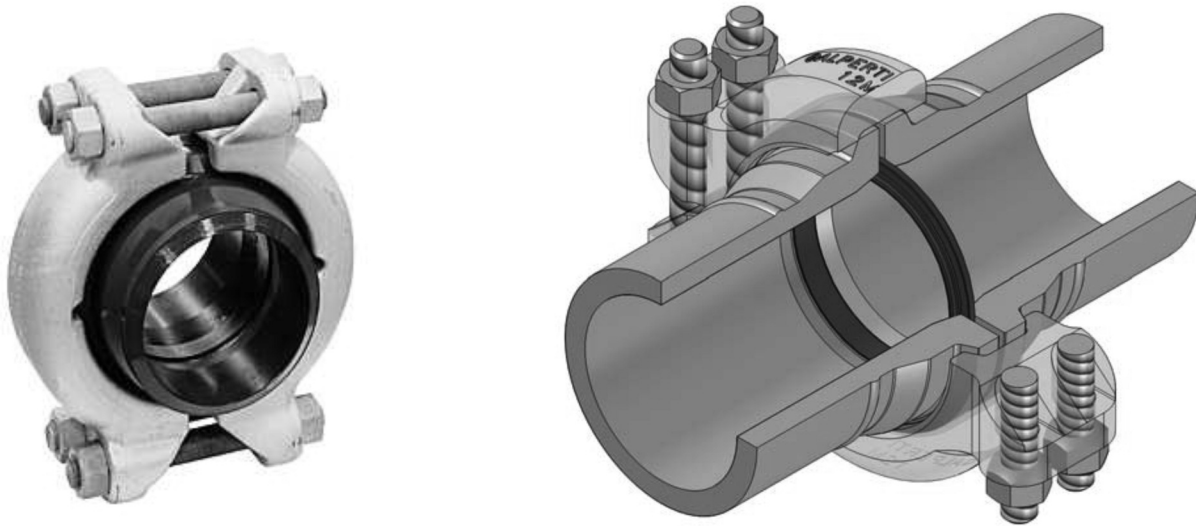


CLAMP® CONNECTORS



The G-LOK® Clamp Connector is a fully proven alternative to the conventional flanged connection used throughout the oil, gas, petrochemical and power generation industries.

Produced in a comprehensive range of sizes and materials they offer versatility, compactness, weight and cost effectiveness in connecting piping system.

The Connector is designed to meet ANSI B 16.5, ASME VIII, API 6A/Q1 and other design codes.

The design has the approval of Lloyds, DNV and Stoomwezen. Fully fire tested in accordance with API 6FB parts 1 and 2. Also gas tested to meet all aspects of ASME B31.3 Chapter IX (e.g. 1400 bar at 180°C Gas test with bending).

Clamp Connectors offer:

- Easy assembly
- Compact construction
- Reduced weight
- Metal to metal sealing technology – re-usable
- Flexibility
- Full design approval